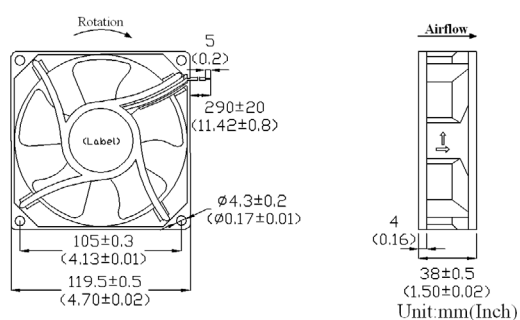




SPECIFICATION

Rated Voltage	120 / 230Vac, 50/60Hz
Temperature Range	-20°C to +70°C
Rated Current Motor Efficiency	> 50%
Air Flow Speed	Adjustable (programmable), 500...3200RPM
Output Power	5W
Rated Speed	3200 / 3000 / 2800 rpm (+/-1%)
Ordering Options:-	
	Two wire - single speed
	Three wire - with speed selection (up to 3 adjustable speeds)
	PWM input with tacho/alarm output (var 500..3200RPM)
	Analog (0-10V) input with tacho/alarm output (var 500..3200RPM)
Speed Selection	Digital input (5V bi-directional digital comms)
Direction of Rotation	CCW, CW, reversible
Reverse Speed	Timed reverse programmable options
Motor Protection	Electronically Protected (EP)
Ground Protection	Double Insulation
Insulation Class	Class A
Housing	Thermplastic PBT, UL94V-0
Impeller	Thermplastic PBT, UL94V-0
Bearing	Sealed bearings
Approvals	UL / TUV / CE / RCM / CCC - (Approval pending)
Ingress protection	IP24 / IP55 / IP65 / IP67*
Hydrocarbon Compatibility*	EN60335-2-89 ANNEX BB / ATEX
Termination	Lead Wire UL 1007 AWG#24 or Equivalent
Weight	320g

DIMENSION



PERFORMANCE

